



# AED Battery Exchange

Save a Life: Save the Environment: Save Money



## FR3-ABE Battery

For use with Philips™ HeartStart™ FR3  
Models: 861388 and 861389

## Operation Manual

Revision 3.4

## **Product model**

The FR3-ABE is indicated for use with the Philips™ HeartStart™ FR3, models 861388 and 861389.

Please see the Philips™ HeartStart™ FR3, models 861388 and 861389 Instructions for Administrators for complete information on AED use.

## **Indications for use**

The automated external defibrillator (AED) battery supplies power to an AED as required during self maintenance, automated diagnoses, and defibrillation. The FR3-ABE is indicated for use with the Philips™ HeartStart™ FR3, models 861388 and 861389.

## **Contraindications**

Automated external defibrillators should not be used when a patient is conscious or breathing normally.

## **Battery specifications**

Battery Type: 12VDC, 4.7Ah, lithium manganese dioxide, primary cells.

Lithium Content: approximately 7 grams

Capacity: Typical shock count of 300 or 12 hours of operating time at 25°C (77°F). Actual battery operating life depends on device settings, usage, and environmental factors.

Charge Time: The FR3 Quick Shock feature allows a shock to be delivered within eight seconds, typical, following the prompt ending a CPR protocol using a new battery. From shock to shock, the FR3 takes less than 20 seconds, typical, including analysis using a new battery. After 15 shocks using the same battery, the FR3 takes less than 30 seconds from analyzing to ready-to-shock. After 200 shocks using the same battery, the FR3 takes less than 40 seconds from initial power-on to ready-to-shock.

Shelf Life (prior to insertion): A minimum of 5 years from date of refurbishing when stored from 20° to 30°C (68° to 86°F), 10% to 75% RH (non-condensing).

Standby Life (after insertion/between use): 3 years when operated from 20° to 30°C (68° to 86°F), 10% to 75% RH (non-condensing).

Operating Conditions: 0°C to 50°C (32° to 122°F), 0% to 95% RH (non-condensing). Lithium Content: approximately 6.72g.

Safety Standards: IEC 60601-1, IEC 60601-1-2, IEC 60601-2-4

Enclosure Protection: IP55 when housed in AED.

Transportation: UN38.3 tested: T1 – Altitude, T2 – Thermal, T3 – Vibration, T4 – Shock, T5 – External Short

## Important Warnings and Reminders!!



Caution: Federal law restricts this device to sale by or on the order of a physician or practitioner licensed by law of the state in which he/she practices to use the device.



Battery is not rechargeable. Do not attempt to recharge.



Do not expose battery to high heat or open flames. Do not incinerate battery.



Waste Electronic Electrical Equipment (WEEE). Separate collection for waste electrical and electronic equipment.



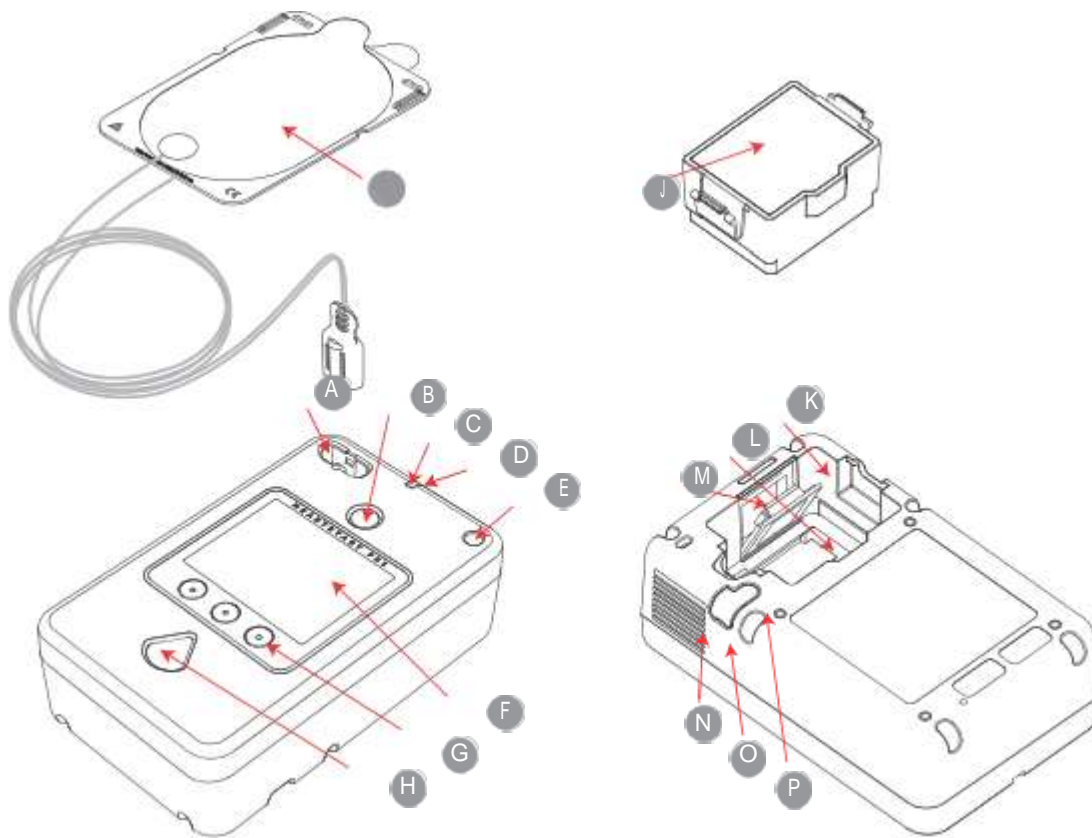
This alert identifies hazards that may cause personal injury, product damage, or property damage.

- ⚠ Pressurized contents: Do not short circuit, puncture, deform, or expose to temperatures above 65°C (149°F).
- ⚠ Not tested for airborne applications
- ⚠ Inspect battery contacts on insertion into AED and annually. Clean contacts with gold contact cleaner if any sign of oxidation or corrosion is present.
- ⚠ Always keep a spare battery on hand in addition to the battery currently in operation.
- ⚠ Use one of these solutions to clean the case of the AED: soapy water, denatured ethanol, or 91% isopropyl alcohol.
- ⚠ Use one of these solutions to clean the plastic housing of the battery: soapy water, denatured ethanol, or 91% isopropyl alcohol.



If the AED indicates that the battery is low and needs to be replaced please recycle or dispose of the lithium battery in accordance with all federal, country, state, and local laws. Help our environment, recycle, and [send your depleted batteries to AED Battery Exchange](#):

AED Battery Exchange  
1000 Brown Street, Ste 206  
Wauconda, IL 600487



## Diagram of the HeartStart FR3 Defibrillator

**A Defibrillator pads connector socket.** Receptacle for the defibrillator pads cable connector. A light on the socket flashes when the FR3 is turned on to show socket location.

**B Green On/Off button.** Turns on the FR3 and starts voice and text prompts. A second press brings up the status screen, and then turns off the FR3.

**C Green Ready light.** Shows the readiness status of the FR3.

**D Microphone.** Used optionally to record audio during an incident.

**E Infant/Child Key port.** Accommodates the optional FR3 Infant/Child Key accessory to enable pediatric treatment protocols for patients under 55 lbs (25 kg) or 8 years old.

**F Screen.** Displays text prompts, graphics, and incident data. The FR3

ECG model also displays the patient's ECG if enabled.

**G Option buttons (three).** When pressed, activates the function identified on the screen.

**H Orange Shock button.** Controls shock delivery. The button flashes when the FR3 is ready to deliver a shock.

**I SMART Pads III.** Self-adhesive pads supplied with attached cable and connector. If using the optional FR3 system case and/or the Pads Sentry, store pads in Pads Sentry and pre-connect pads to FR3 for automatic self-test.

**J Battery.** Long-life battery used to power the FR3.

**K Battery compartment.** Provides electrical connection for the installed battery and contains the data card slot and *Bluetooth*® wireless technology transceiver module compartment.

**L Data card slot.** Receptacle for the optional data card accessory. Located beneath the battery in the battery compartment.

**M Bluetooth wireless technology transceiver module compartment.** Accommodates the optional transceiver module accessory. Located behind a removable door in battery compartment.

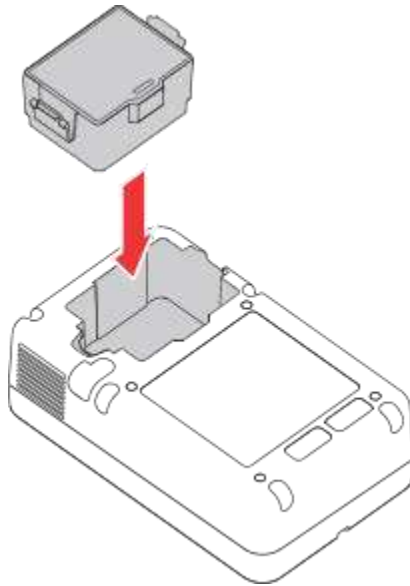
**N Speaker.** Broadcasts FR3 voice prompts and alert tones when appropriate.

**O Beeper.** Broadcasts FR3 alert chirps when appropriate.

**P Accessory port.** Connection port for future use.

## **To replace the battery:**

1. Check the battery label to be sure the battery is within its install-by-date in order to get the full specified battery life.
2. Locate the battery compartment on the back of the defibrillator.



3. Insert the battery into the battery compartment on the back of the FR3. Be sure that both the battery's latches click into place.
4. The first time you set up the FR3, the FR3 automatically runs a detailed user-initiated test as soon as the battery is in place. Press each button when directed, or the test will fail.

AED Battery Exchange, LLC  
1000 Brown Street, Suite #206  
Wauconda, IL 60084